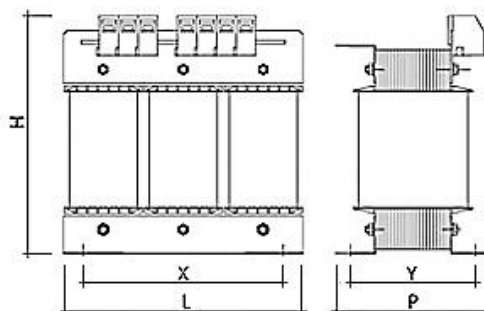


TCN 48

REATTANZA AVVIAMENTO MOTORI



DIMENSIONI

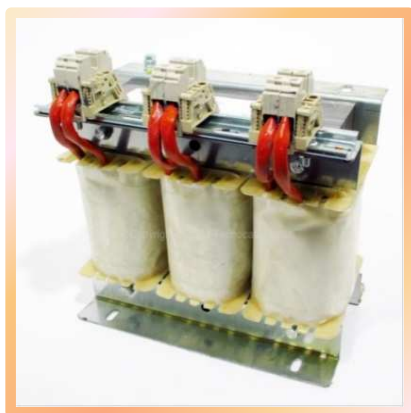


Codice	Potenza KW	Potenza HP	Dimensioni			Interasse X Y	Peso
			L	H	P		
TCN480011	3,0	4,0	165	140	105	90x60	2,70
TCN480021	4,0	5,5	165	140	115	90x70	4,00
TCN480031	5,5	7,5	180	170	120	145x65	5,00
TCN480041	7,5	10,0	180	170	130	145x75	6,50
TCN480045	9,2	12,5	180	170	130	145x75	7,80
TCN480051	11,0	15,0	180	170	140	145x85	8,20
TCN480061	15,0	20,0	240	210	115	177x80	11,00
TCN480071	18,5	25,0	240	210	125	177x90	12,80
TCN480081	22,0	30,0	240	210	125	177x90	13,70
TCN480091	25,0	34,0	240	210	140	177x100	16,00
TCN480101	30,0	40,0	240	210	140	177x100	17,50
TCN480111	37,0	50,0	240	210	155	177x115	20,00
TCN480115	42,0	55,0	240	210	155	177x115	22,00
TCN480121	42,0	60,0	300	300	140	250x100	25,00
TCN480125	53,0	70,0	300	300	140	250x100	28,00
TCN480131	55,0	75,0	300	300	150	250x110	30,00
TCN480135	70,0	90,0	300	300	160	250x120	32,00
TCN480141	75,0	100,0	300	300	160	250x120	36,00
TCN480151	90,0	125,0	360	360	170	325x120	42,00
TCN480161	110,0	150,0	360	360	180	325x130	45,00
TCN480171	132,0	180,0	360	360	190	325x140	50,00
TCN480181	160,0	218,0	420	430	200	375x140	65,00
TCN480191	200,0	270,0	420	430	210	375x150	70,00
TCN480201	250,0	340,0	420	430	270	375x160	80,00
TCN480211	315,0	430,0	420	430	290	375x180	95,00
TCN480221	400,0	550,0	420	430	300	375x190	100,00

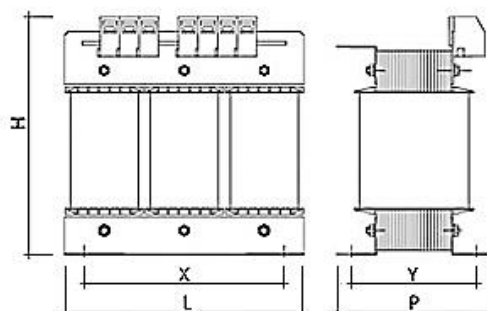
TCN 48

REATTANZA AVVIAMENTO MOTORI

CON PROTEZIONE TERMICA



DIMENSIONI



Codice	Potenza KW	Potenza HP	Dimensioni			Interasse	Peso
			L	H	P	X Y	
TCN480041T	7,5	10,00	180	170	130	145x75	6,50
TCN480045T	9,2	12,50	180	170	130	145x75	7,80
TCN480051T	11,0	15,00	180	170	140	145x85	8,20
TCN480061T	15,0	20,00	240	210	115	177x80	11,00
TCN480071T	18,5	25,00	240	210	125	177x90	12,80
TCN480081T	22,0	30,00	240	210	125	177x90	13,70
TCN480101T	30,0	40,00	240	210	140	177x100	17,50
TCN480111T	37,0	50,00	240	210	155	177x115	20,00
TCN480121T	45,0	60,00	300	300	140	250x100	25,00
TCN480131T	55,0	75,00	300	300	150	250x110	30,00
TCN480141T	75,0	100,00	300	300	160	250x120	36,00
TCN480151T	90,0	125,00	360	360	170	325x120	42,00
TCN480181T	160,0	218,00	420	430	200	375x140	65,00

TCN 48

REATTANZA AVVIAMENTO MOTORI

CON PROTEZIONE TERMICA E MONTAGGIO ORIZZONTALE

Codice	Potenza KW	Potenza HP	Dimensioni			Interasse	Peso
			L	H	P	X Y	
TCN480051T-ORIZ.	11,0	15,0	180	160	160	a richiesta	8,20
TCN480061T-ORIZ.	15,0	20,0	240	125	210	a richiesta	11,00
TCN480071T-ORIZ.	18,5	25,0	240	150	210	a richiesta	12,80
TCN480081T-ORIZ.	22,0	30,0	240	150	210	a richiesta	13,70
TCN480101T-ORIZ.	30,0	40,0	240	165	210	a richiesta	17,50
TCN480111T-ORIZ.	37,0	50,0	240	175	210	a richiesta	20,00
TCN480121T-ORIZ.	45,0	60,0	300	190	260	a richiesta	25,00
TCN480131T-ORIZ.	55,0	75,0	300	200	260	a richiesta	30,00
TCN480141T-ORIZ.	75,0	100,0	300	210	260	a richiesta	36,00
TCN480151T-ORIZ.	90,0	125,0	360	210	310	a richiesta	42,00