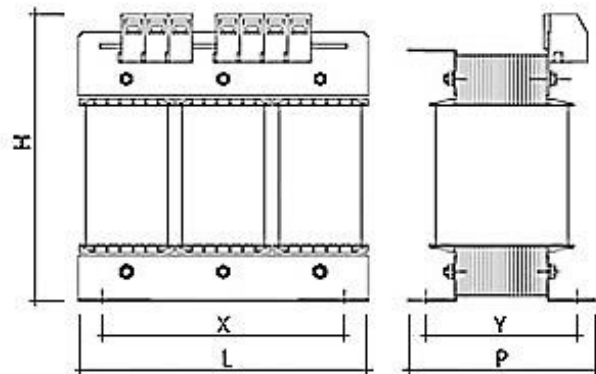


# TCN 57

## THREE-PHASE STANDARD AUTOTRANSFORMER "CLASS F"



**DIMENSIONS**



Code	Power VA	Voltage	Dimensions			Holes	Weight
			A	B	C	XxY	
TCN570011	500	<b>230.400</b>	165	135	105	90x60	4,50
TCN570021	1000	<b>230.400</b>	180	165	120	145x65	7,00
TCN570031	1500	<b>230.400</b>	180	165	150	145x95	8,50
TCN570041	2000	<b>230.400</b>	240	210	115	177x80	14,50
TCN570051	3000	<b>230.400</b>	240	210	140	177x100	18,00
TCN570061	4000	<b>230.400</b>	240	210	150	177x115	23,00
TCN570071	5000	<b>230.400</b>	240	210	160	177x125	25,00
TCN570081	6000	<b>230.400</b>	300	280	130	250x90	27,00
TCN570091	8000	<b>230.400</b>	300	280	150	250x110	30,00
TCN570101	10000	<b>230.400</b>	300	280	170	250x130	36,00
TCN570111	12500	<b>230.400</b>	360	330	155	325x110	40,00
TCN570121	15000	<b>230.400</b>	360	330	165	325x120	44,00
TCN570131	20000	<b>230.400</b>	360	330	205	325x150	65,00
TCN570141	25000	<b>230.400</b>	420	410	195	375x140	73,00
TCN570151	30000	<b>230.400</b>	420	410	215	375x160	87,00
TCN570161	40000	<b>230.400</b>	420	410	245	375x190	110,00
TCN570171	50000	<b>230.400</b>	480	450	340	430x220	148,00
TCN570181	63000	<b>230.400</b>	480	450	350	430x230	164,00
TCN570191	80000	<b>230.400</b>	600	620	370	360x190	178,00
TCN570201	100000	<b>230.400</b>	600	620	400	360x220	225,00
TCN570211	150000	<b>230.400</b>	600	620	410	360x230	300,00
TCN570221	200000	<b>230.400</b>	600	620	480	360x300	440,00